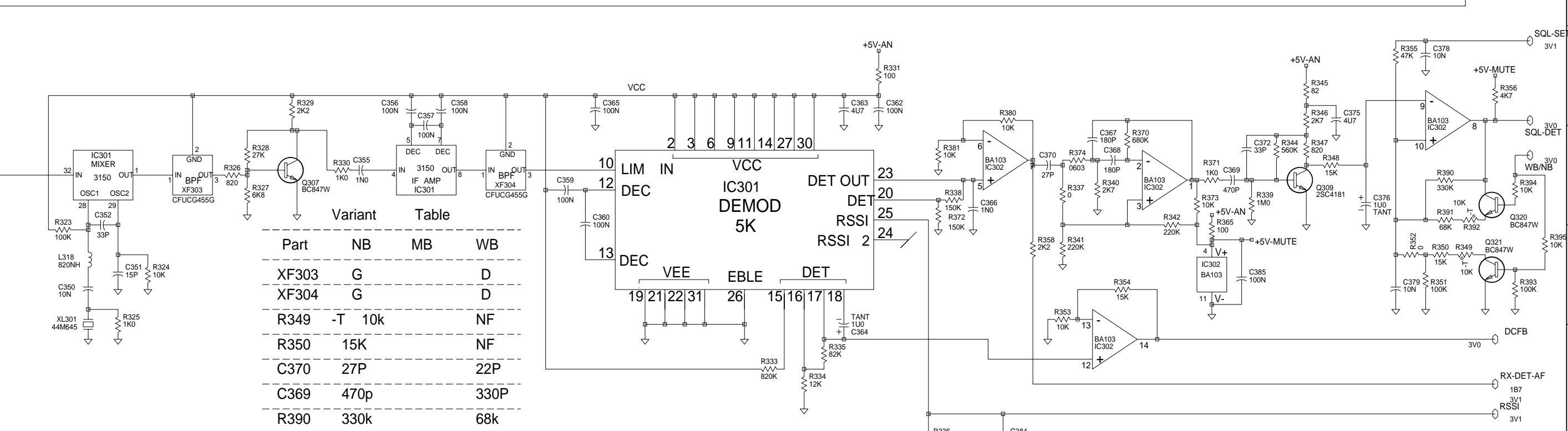
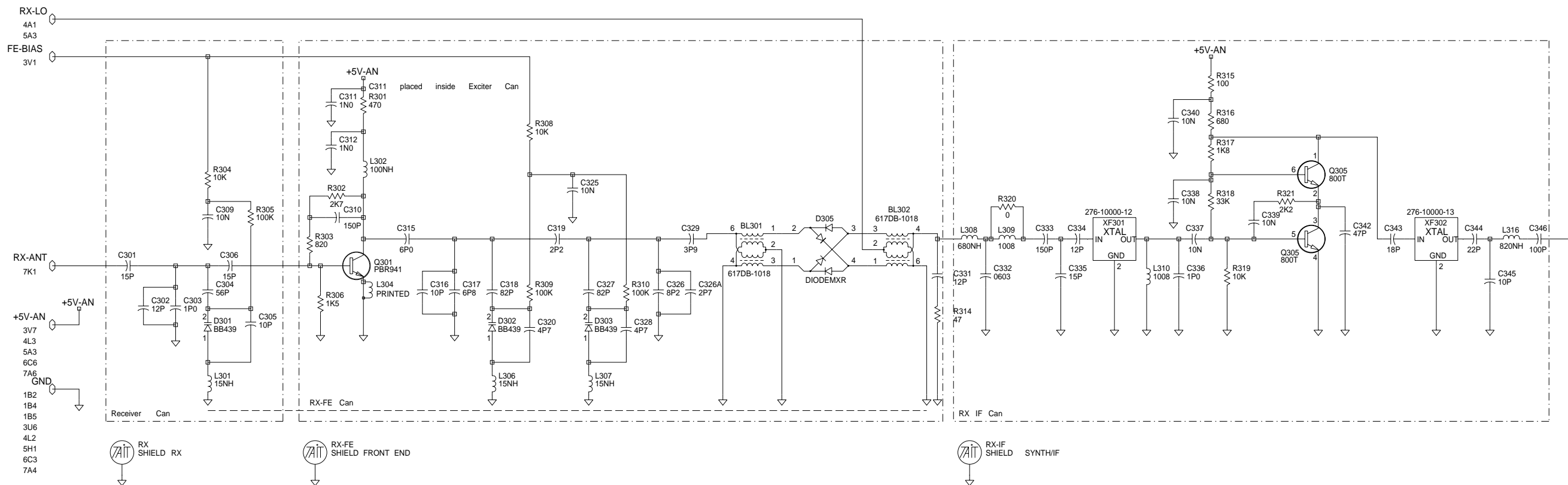


REV/ISS	AMENDMENTS	DRAWN	CHKD	D.O.	APVD	DATE	REV/ISS	AMENDMENTS	DRAWN	CHKD	D.O.	APVD	DATE
05B	DIG SHIELD, CCO# 1503-011	CM				03/02/00							
05A	CCO NO. 1503-004/005/006/007	BRD				04/11/99	12A	DCO NO. 1503-019	BRD				09-04-02
04B	CHANGES AS PER 1503/001	BRD				20/08/99	11A	DCO.NO.1503-018	BRD				13-11-01
03B	ADJUSTED T-CU AS PER PENTEX	BRD				03-06-99	09A	CCO. NO. 1503-016	BRD				28-05-01
03A	UPDATE ALC AND AFC	BRD				17-05-99	07B	CCO. NO. 1503-015	BRD				19-02-01
02A	SEE NOTES FILE FOR CHANGES	BRD				10/02/99	07A	COMP OBSOLESCENCE CCO.1503-013	BRD				03-11-00
08	UPDATED MUTE CIRCUITRY	DBH					06A	COMPONENT OBS. CCO NO. 1503-012	BRD				06-04-00



© TAIT ELECTRONICS  
TOP T5K ORCA 336-400MHZ SYSTEM DIAGRAM

IPN: 220-01503-12 ISSUE: A 2.S.C. 1  
PROJECT: ORCA DESIGNER: BRD FILE NAME: 150312a FILE DATE: 10-Apr-02 NO.SHEETS: 7



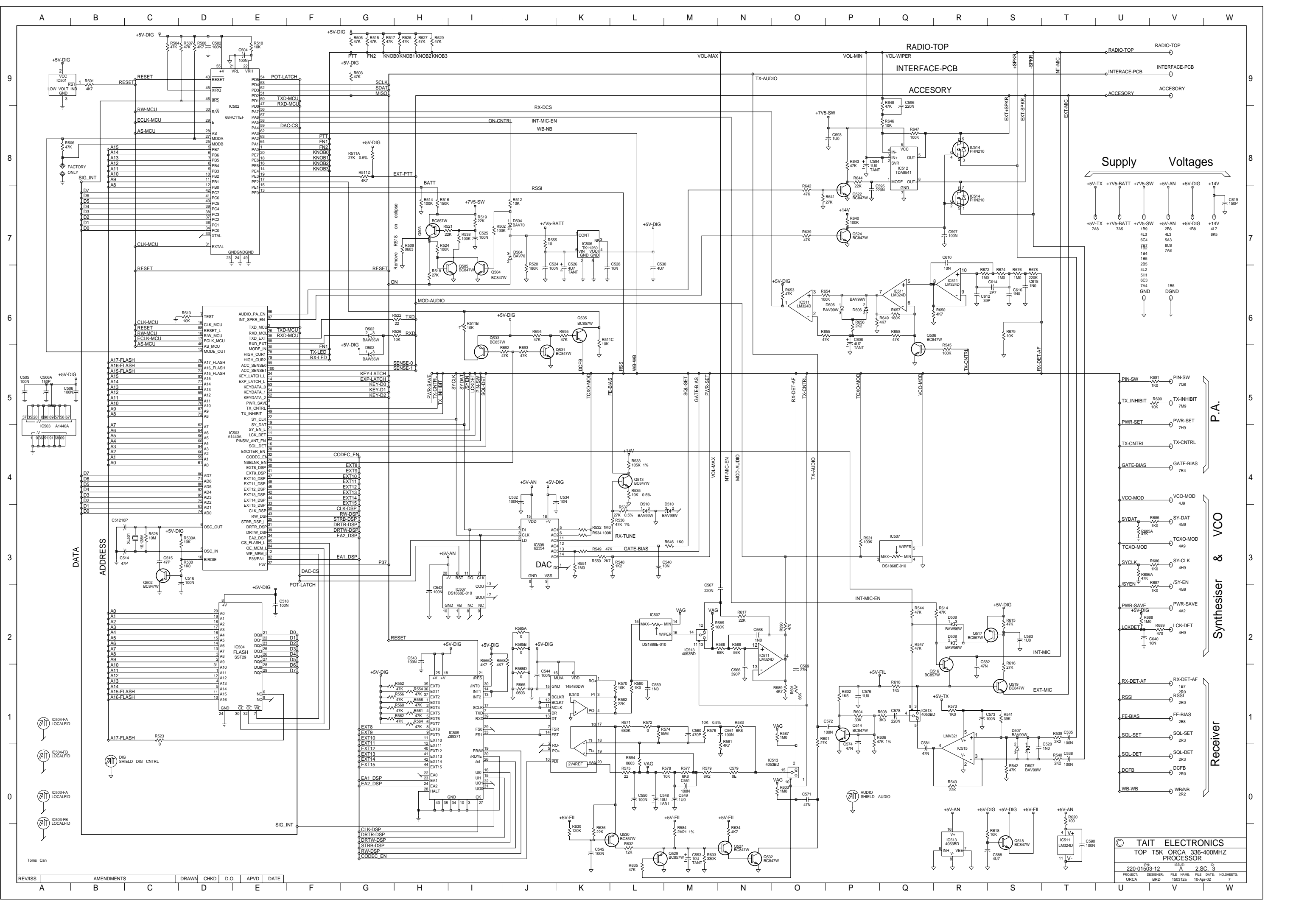
Variant Table

Part	NB	MB	WB
XF303	G		D
XF304	G		D
R349	-T	10k	NF
R350		15K	NF
C370		27P	22P
C369		470p	330P
R390		330k	68k
R355		47k	22k
C367		180p	150p
C368		180p	150p

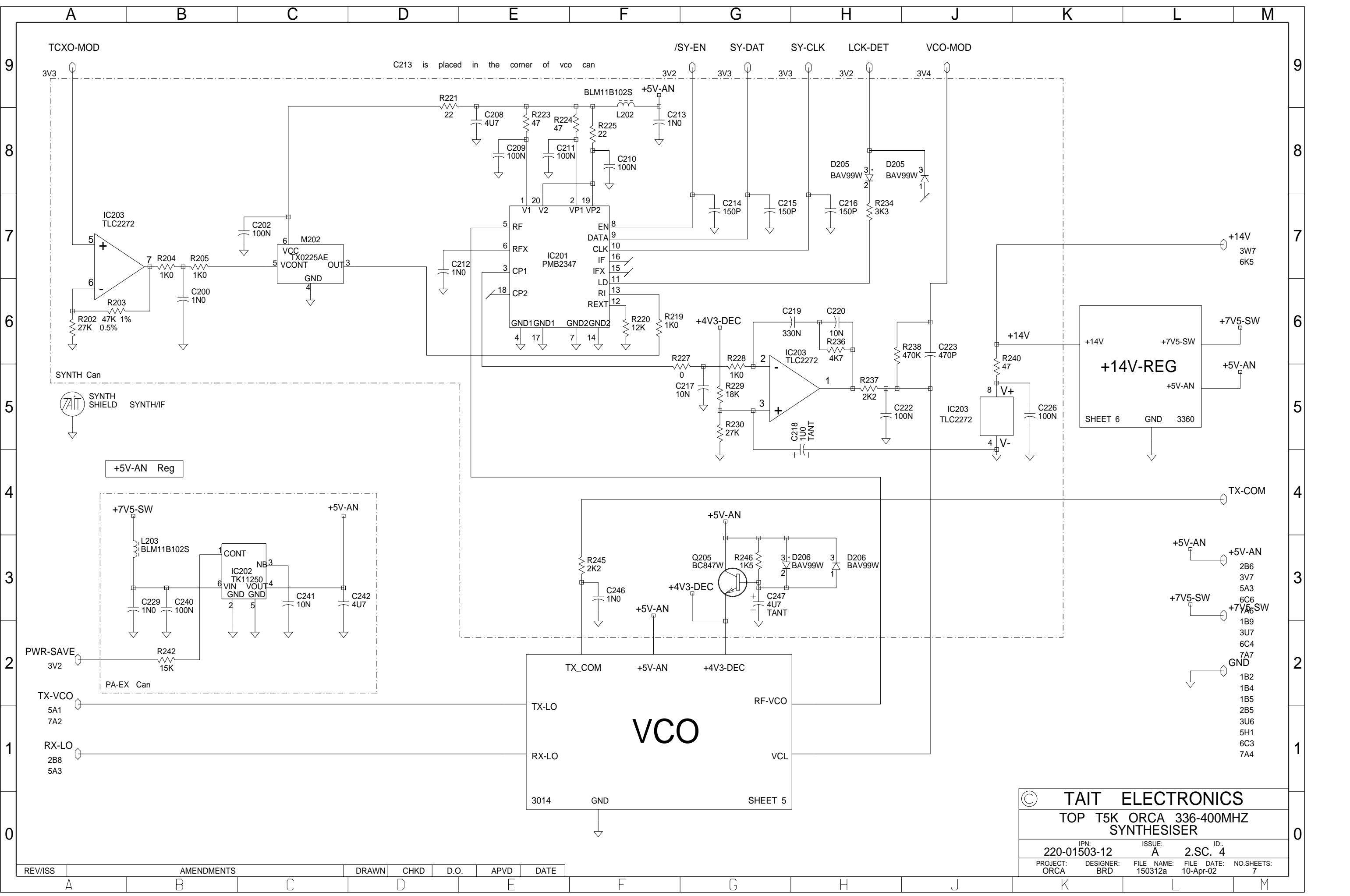
© TAIT ELECTRONICS  
 TOP T5K ORCA 336-400MHZ RECEIVER

IPN: 220-01503-12    ISSUE: A    2.SC. 2    ID:  
 PROJECT: ORCA    DESIGNER: BRD    FILE NAME: 150312a    FILE DATE: 10-Apr-02    NO.SHEETS: 7

REV/ISS	AMENDMENTS	DRAWN	CHKD	D.O.	APVD	DATE
A						



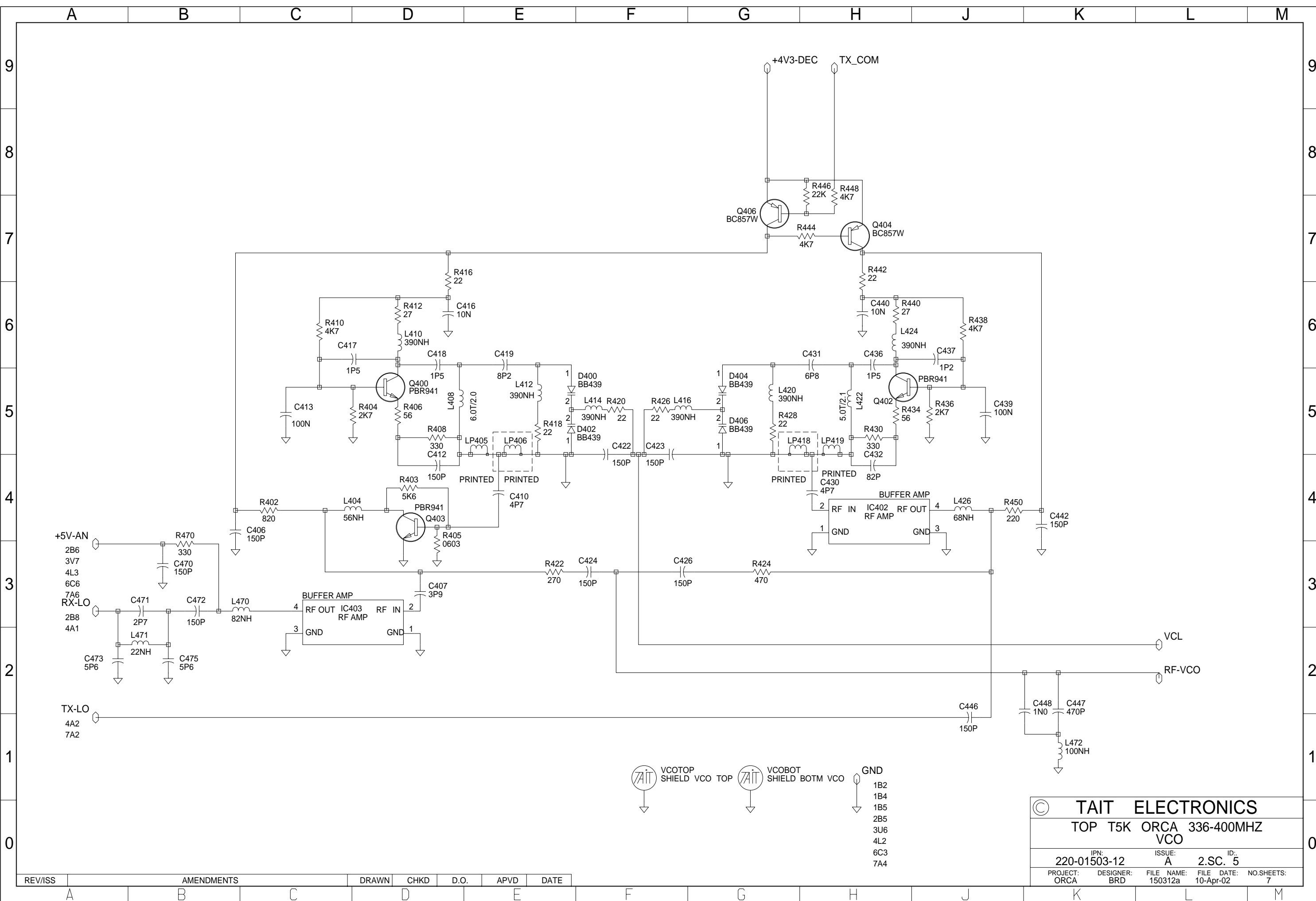
© TAIT ELECTRONICS  
 TOP T5K ORCA 336-400MHZ  
 PROCESSOR  
 I/PN: 220-01503-12 FILE NAME: 150312a 10-Apr-02  
 PROJECT: ORCA BRD 150312a 10-Apr-02



© TAIT ELECTRONICS  
 TOP T5K ORCA 336-400MHZ SYNTHESIZER

IPN: 220-01503-12	ISSUE: A	ID: 2.S.C. 4
PROJECT: ORCA	DESIGNER: BRD	FILE NAME: 150312a
	FILE DATE: 10-Apr-02	NO.SHEETS: 7

REV/ISS	AMENDMENTS	DRAWN	CHKD	D.O.	APVD	DATE

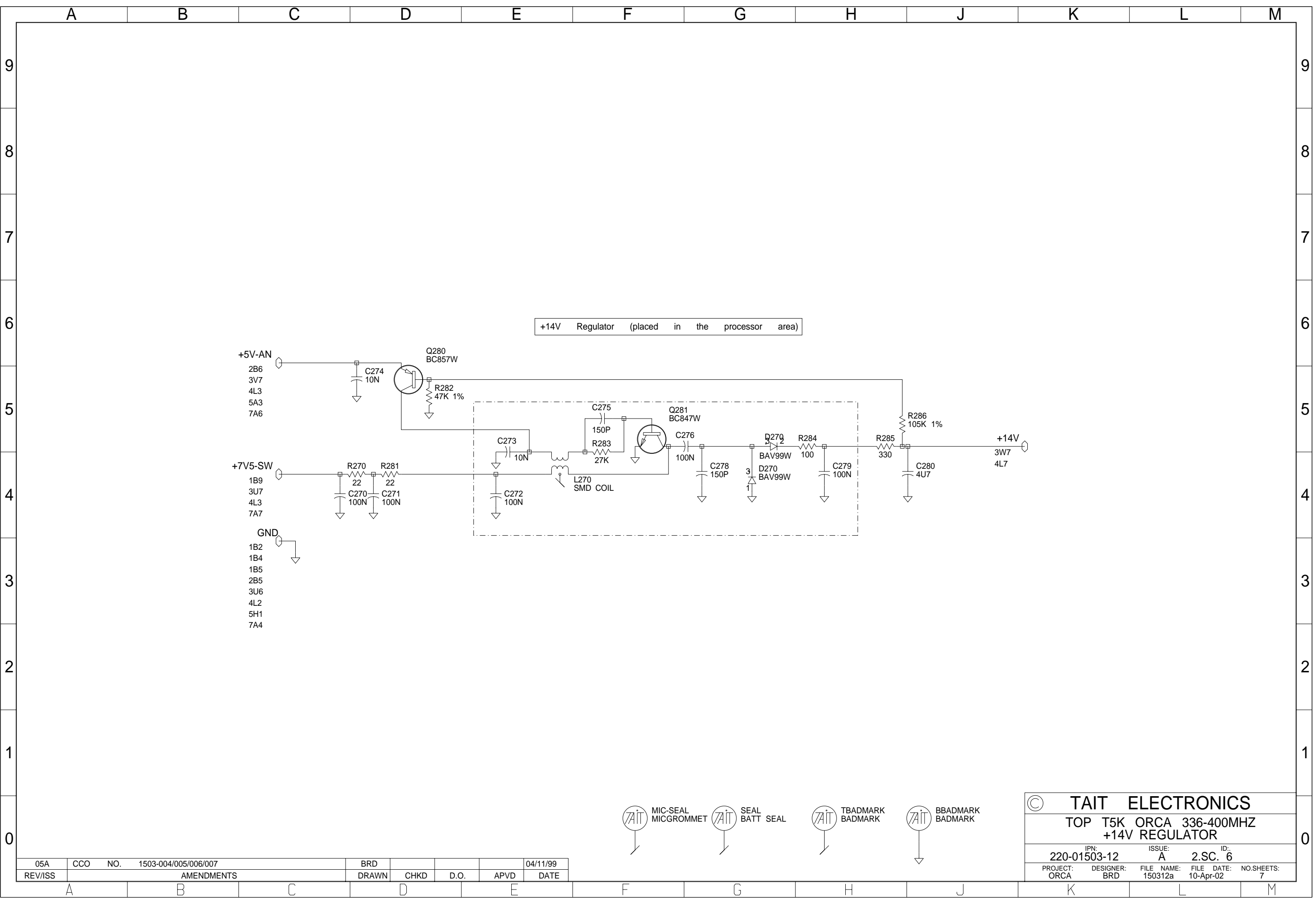


© TAIT ELECTRONICS  
 TOP T5K ORCA 336-400MHZ  
 VCO

IPN: 220-01503-12	ISSUE: A	ID: 2.S.C. 5
PROJECT: ORCA	DESIGNER: BRD	FILE NAME: 150312a
	FILE DATE: 10-Apr-02	NO.SHEETS: 7

REV/ISS	AMENDMENTS	DRAWN	CHKD	D.O.	APVD	DATE

- VCOTOP SHIELD VCO TOP
- VCOTOP SHIELD VCO TOP
- VCOBOT SHIELD BOTM VCO
- VCOBOT SHIELD BOTM VCO
- GND
- 1B2
- 1B4
- 1B5
- 2B5
- 3U6
- 4L2
- 6C3
- 7A4





+14V Regulator (placed in the processor area)

+5V-AN  
2B6  
3V7  
4L3  
5A3  
7A6

+7V5-SW  
1B9  
3U7  
4L3  
7A7

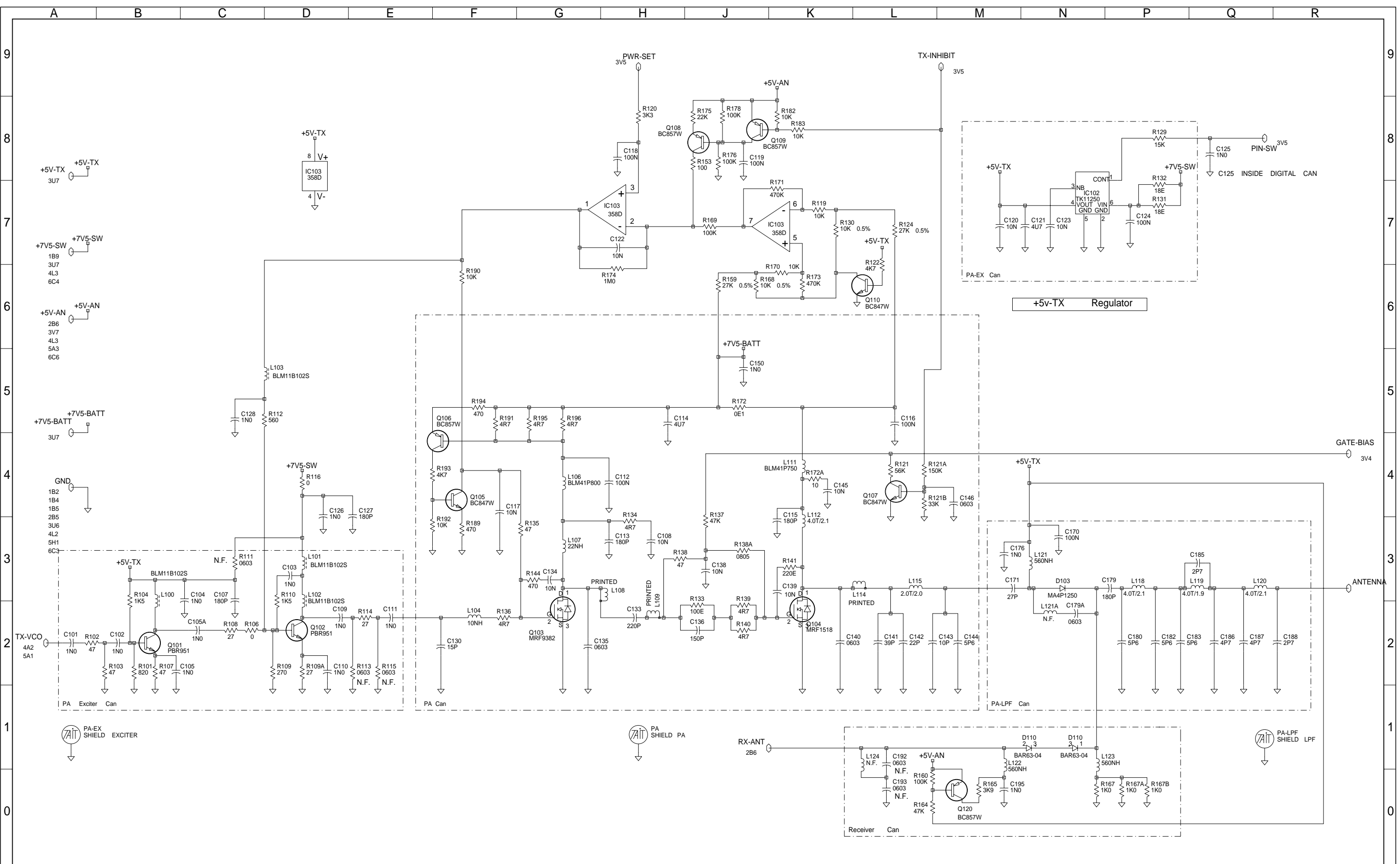
GND  
1B2  
1B4  
1B5  
2B5  
3U6  
4L2  
5H1  
7A4

+14V  
3W7  
4L7

-   
 MIC-SEAL  
MICGROMMET
-   
 SEAL  
BATT SEAL
-   
 TBADMARK  
BADMARK
-   
 BBADMARK  
BADMARK

<b>TAIT ELECTRONICS</b>			
TOP T5K ORCA 336-400MHZ +14V REGULATOR			
IPN:	ISSUE:	ID:	
220-01503-12	A	2.SC. 6	
PROJECT:	DESIGNER:	FILE NAME:	FILE DATE: NO.SHEETS:
ORCA	BRD	150312a	10-Apr-02 7

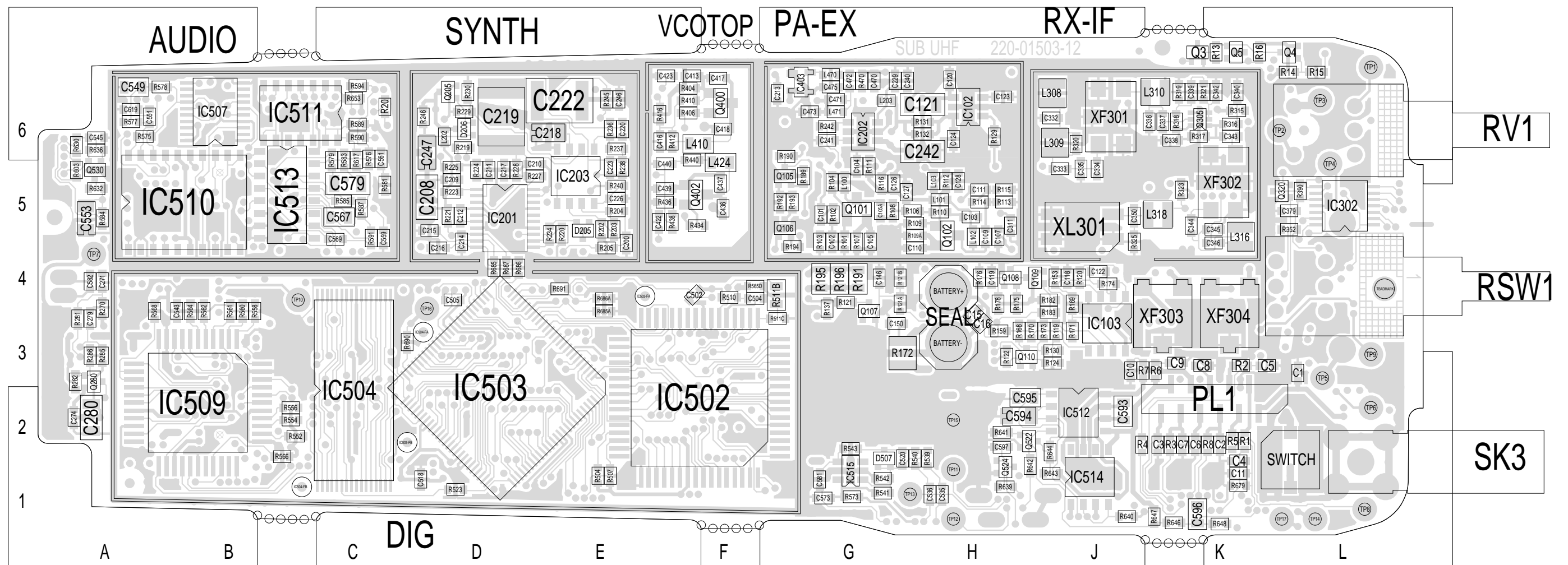
05A	CCO	NO. 1503-004/005/006/007	BRD	APVD	DATE	04/11/99
REV/ISS	AMENDMENTS		DRAWN	CHKD	D.O.	



© TAIT ELECTRONICS  
 TOP T5K ORCA 336-400MHZ  
 POWERAMP

IPN:	ISSUE:	ID:
220-01503-12	A	2.S.C. 7
PROJECT:	DESIGNER:	FILE NAME:
ORCA	BRD	150312a
		10-Apr-02
		7

REV/ISS	AMENDMENTS	DRAWN	CHKD	D.O.	APVD	DATE
A						
B						
C						
D						
E						



TAIT ELECTRONICS IPN: 220-01503-12 ISS: A ID: 1.TA DATE: 11 Apr 2002  
 SUB UHF PCB LAYOUT - TOP SIDE

Scale: 2.3:1 ; Rotation: 0 degrees



